

High Pressure Cleaners

quadro 600

250 bar / 3600 psi **TST**

quadro 1000

220 bar / 3200 psi **TST**

quadro 1200

180 bar / 2600 psi **TST**

quadro 1000

220 bar / 3200 psi **TS**

quadro 1200

180 bar / 2600 psi **TS**



Operating manual
Read and conform
safety instructions
before use

Technical data

Technical data	quadro 800 TST	quadro 1000 TST	quadro 1200 TST	quadro 1000 TS	quadro 1200 TS
Operating pressure, steplessly adjustable	30 - 250 bar	30 - 220 bar	30 - 180 bar	30 - 220 bar	30 - 180 bar
Perm. overpressure	270 bar	250 bar	200 bar	250 bar	200 bar
Water output ^(*1)					
at 0 bar	15 l/min	17,5 l/min	21 l/min	17,5 l/min	21 l/min
at nominal pressure	13,5 l/min	15,6 l/min	19 l/min	15,6 l/min	19 l/min
Nozzle size					
(Flat jet)	2504	2505	2507	2505	2507
(Turbokiller)	045	055	08		
Volume					
Water tank	16 l	16 l	16 l	16 l	16 l
Max. inlet water temperature to water tank	max. 70 °C	max. 70 °C	max. 70 °C	max. 70 °C	max. 70 °C
Max. temperature for direct suction ^(*2)	60 °C	60 °C	60 °C	60 °C	60 °C
Direct suction height	2,5 m	2,5 m	2,5 m	2,5 m	2,5 m
Hose drum	yes	yes	yes	no	no
High pressure hose	20 m	20 m	20 m	10 m	10 m
Electrical ratings	400 V/50 Hz 12 A	400 V/50 Hz 12 A	400 V/50 Hz 12 A	400 V/50 Hz 12 A	400 V/50 Hz 12 A
Motor speed adjustm.	1400 U/min	1400 U/min	1400 U/min	1400 U/min	1400 U/min
Connect. wattage inp. output.	P1: 7,5 kW P2: 5,5 kW	P1: 7,5 kW P2: 5,5 kW	P1: 7,5 kW P2: 5,5 kW	P1: 7,5 kW P2: 5,5 kW	P1: 7,5 kW P2: 5,5 kW
Weight (incl. accessories with empty water tank)	89 kg	89 kg	89 kg	82 kg	82 kg
Dimensions including handle L x W x H in mm	770 x 570 x 990	770 x 570 x 990	770 x 570 x 990	770 x 570 x 990	770 x 570 x 990
Sound level acc. to 45 635 (rel. to working place)	79 dB	79 dB	79 dB	79 dB	79 dB
with Turbokiller	85 dB	85 dB	85 dB	85 dB	85 dB
Recoil at lance	ap. 20 N	ap. 20 N	ap. 22 N	ap. 20 N	ap. 22 N
Order n°.	40.423	40.421	40.422	40.421 1	40.422 1

Permissible tolerance for figures ± 5 % in acc. with VDMA uniform sheet 24411

^(*1) Min. water quantity to be supplied to the high pressure cleaner!
(1-8 bar admission pressure)

^(*2) Direct suction is possible through by-passing of water tank!
(see page 5)

Description

Dear customer

We would like to congratulate you on your new high pressure cleaner with integrated water tank and to thank you for the purchase.

To ease your introduction to the use of the cleaner, we have provided the following pages of explanations, tips and hints, which we ask you to read before using for the first time.

The equipment will assist you professionally in all cleaning tasks, e.g.:

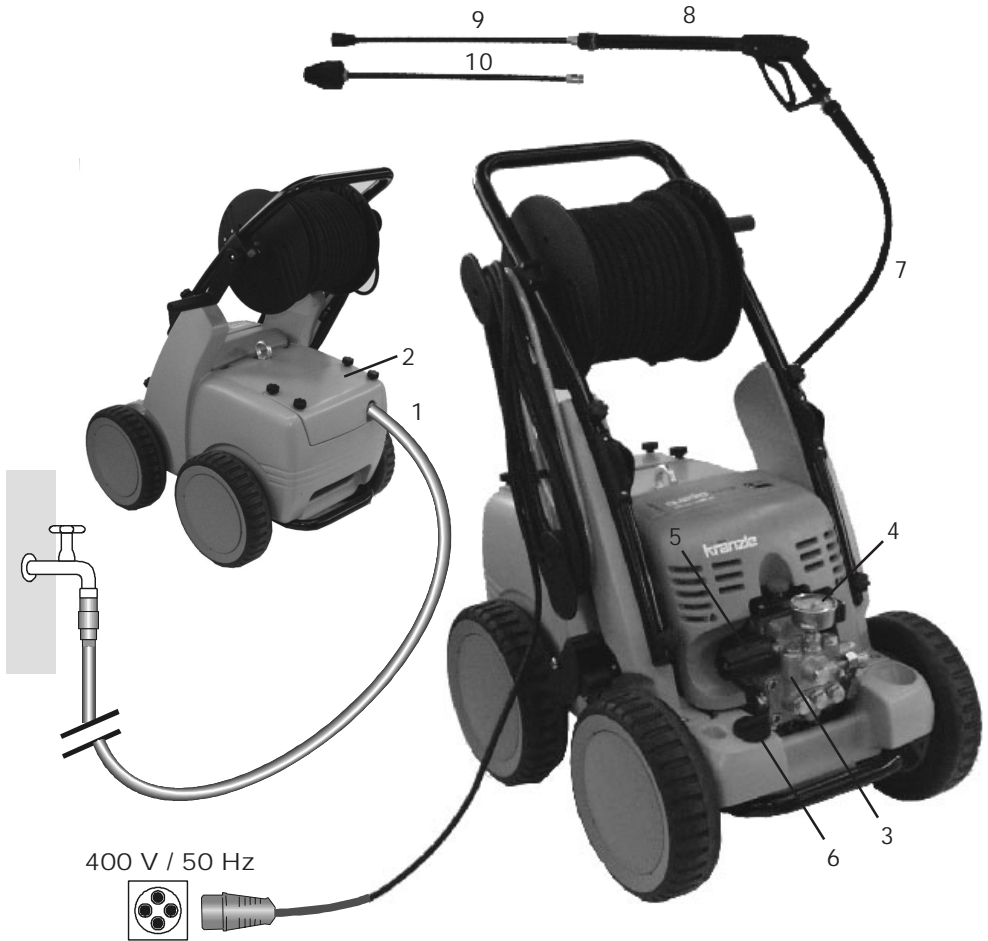
- facades
- vehicles of all types
- barrels and containers
- flagstones
- containers
- channels
- terraces
- machines etc.

Contents

Side

Technical data	2
Construction and components	4
Water system	5
Detergent / caring system	5
Lance and spay gun	5
High pressure hose and spray device	6
Unloader valve - safety valve	6
Delayed motor cut-out	7
Safety cut-out	7
Setting up / Location	7
Electrical connection	8
Brake	9
Brief operating instructions	9
This is what you've purchased	10
How to assemble and furnish your HP cleaner	11
Preparation for use	12
External suction	13
When using detergents	14
To shut down the pump / Frost protection	14
Safety notes „This is prohibited!“	15
Additional accessories	18
Small repairs	20
Spare parts lists	22
General rules	39
Inspection report	40
Declaration of conformity	43

Description



Construction

The KRÄNZLE quadro 800 TST, 1000 TST and 1200 TST TST high pressure cleaners are mobile machines with hose drum and 20m industrial hose. The KRÄNZLE quadro 1000 TS and 1200 TS - high pressure cleaners are mobile machines without hose drum, however with 10m industrial hose. The schematic principle can be seen from the illustration.

Components

- | | |
|--------------------------------------|---------------------------------------------------------------------|
| 1 Water inlet connection with filter | 6 Detergent valve |
| 2 Cover for water tank | 7 High pressure hose |
| 3 High pressure pump | 8 Spray gun |
| 4 Press. gauge with glycerin filling | 9 Interchangeable lance with Turbokiller |
| 5 Unloader valve - safety valve | 10 Interchangeable lance with flat jet nozzle and nozzle protection |

Description

Water system

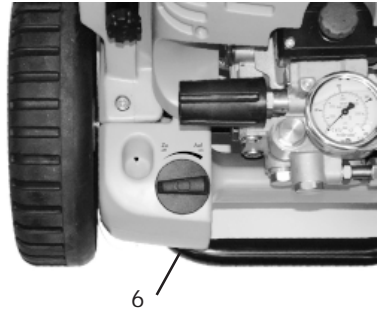
The water must be lead to the high pressure cleaner under pressure (1 – 8 bar admission pressure). A float valve regulates the water inlet. Then, the water is sucked by the high pressure pump from the water tank and supplied to the lance under the set pressure. The high pressure jet is formed by the nozzle at the end of the lance.

Detergent and caring system

The high pressure pump can also suck a detergent/caring agent and mix it with the high pressure jet. The additive is sucked through the pump and brought in with the set pressure.

Insert the detergent hose into the detergent container and open the detergent valve (6).

The detergent discharges with the water at the high pressure nozzle.



Open the dosing valve, if the chemistry sieve is placed in a liquid. Sucked air leads to destruction of the pump seals!!!

The rules concerning the environment, refuse and ground water protection must be complied with!

Lance with spray gun

The machine can only be operated when the safety trigger is squeezed.

When the lever is squeezed, the spray gun opens. The liquid is then pumped to the nozzle. The spray pressure increases and quickly reaches the selected operating pressure.

When the trigger is released, the trigger gun closes and any further spraying of liquid from the lance is stopped and the manometer must show 0 bar.

The increase in pressure when the trigger gun is closed causes the unloader valve-safety valve to open. The pump remains switched on and continues to pump liquid through the pump at reduced pressure. When the spray gun is opened, the unloader valve - safety valve closes and the pump resumes spraying from the lance with the selected operating pressure.



The spray gun is a safety device. Repairs should only be performed by qualified persons. Should replacement parts be required, use only components authorized by the manufacturer.

Description

High pressure hose and spraying device

The high pressure hose and spraying device supplied with the machine are made of high grade material. They are also optimized for the machine and marked as required by the appropriate regulations.

If replacement parts are required, only such parts that are authorized by the manufacturer and which bear the markings required by the appropriate regulations may be used. The high pressure hose and spraying device must be connected in a pressure-tight manner.



The high pressure hose may not be driven over, pulled excessively or twisted. Hose lines are wear parts. Guarantee is accepted only for manufacturing errors, not for external damages.

High pressure hose lines and spraying equipment must not be repaired, but replaced by a new hose or spraying equipment.

Unloader valve - safety valve

The unloader valve - safety valve protects the machine from a build up of excess pressure, and is designed not to permit an excess pressure to be selected for operation. The limit nut on the handle is sealed with a spray coating.



The operating pressure and spray rate can be steplessly adjusted by turning the handle.

Replacements, repairs, new adjustments and sealing should only be performed by qualified persons.

Description



Delayed motor cut-out

Frequent, work-necessitated switching on and off of motors on machines of this size puts a heavy load on the power network and causes increased wear on internal electrical parts. Therefore the motor of the new KRANZLE device only switches off 30 seconds after closing the gun and then goes to stand still. By opening the gun, the device is started again.

Safety cut-out

If the device is accidentally not turned off after use or the pistol is not used for 20 minutes, the device automatically goes into the safety state via deactivating. By operating the main switch again, the device is activated again.



Replacements and inspection work should only be performed by qualified persons when the machine is disconnected from the power supply, i.e. the plug pulled out from the electrical socket.

Setting up

Location



Neither set up and operate the machine in rooms where there is a risk of fire or explosion nor put it into puddles. Do not use the machine under water. The device must not stand in the spray area of the high pressure jet.

CAUTION !



Never suck in liquid containing solvents such as paint thinners, petrol, oil or similar liquid matter. Pay attention to the instructions of the manufacturers of the cleaning agents. The seals in the machine are not resistant to solvents! The spray of solvents is inflammable, explosive and poisonous.

CAUTION !



When running your high pressure cleaner with hot water of 70° C raised temperatures occur. Do not touch the machine without safety gloves!

Description



Electrical connection

The machine is supplied with an electrical power cord with plug.

The mains plug must be fitted to a standard grounded socket with a 30mA residual current operated device. The socket must be protected with a 16A delay action fuse on the mains side.

KRÄNZLE quadro = 400 Volt / 50 Hz (phase-sequence not significant)

When using an extension cable, this must have a grounded lead which is properly connected to the socket. The conductors in the extension cable must have a minimum cross section of 1.5 mm². Plug connections must be of a spray-proof design and may not be located on a wet floor.

CAUTION !

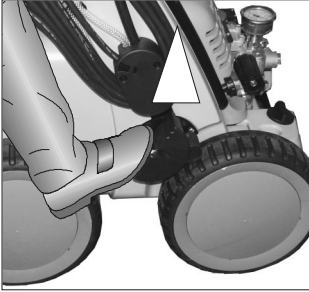
The use of extension cables which are too long may lead to malfunctions and start up difficulty.

When using a cable drum, always keep the cable wound as far as possible.

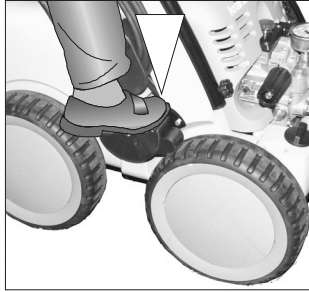
Description



Brake



Brake applied



Brake not applied

Brief operating instructions

1. Connect high pressure hose with spray gun.
2. Connect to suitable water supply.
3. Connect current - (400 Volt three-phase current)
4. Switch on machine and start cleaning.
5. After having completed the cleaning process, put main switch in zero position and by opening the gun, reduce the pressure in the high pressure hose.

Then, the high pressure hose can be rolled up

- Only use clean water ! Protect from frost !

CAUTION !

Please pay attention to the regulations of your waterworks company.

Because of the water tank, the device can be connected to any drinking water line without worries.

This is what you've purchased:



1. Turbokiller



Lance with nozzle protection and high pressure nozzle
Flat jet 25°



2. Spray gun Starlet with insulated grip and screw connection

3. KRÄNZLE - High pressure cleaners

quadro 800 TST, 1000 TST and quadro 1200 TST with hose drum
quadro 1000 TS and quadro 1200 TS without hose drum

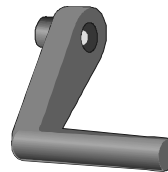


4. Operating instructions



5. High pressure hose, 20 m NW 8 on hose drum

6. Crank for hose drum



7. Crosstip screwdriver



Fixing screw for crank



8. Water inlet part (filter is already installed)



How to assemble and furnish your high pressure cleaner



Remove the screw from the drive shaft of the hose drum. Unpack the crank and insert it onto the hexagon head. Tighten the crank again with the screw.

To check the oil level, loosen the oil cover screw and take out the oil dip stick. The oil level must be between the two markings.



To control the high pressure cleaner put

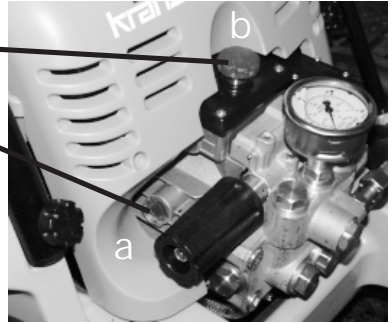
1. the foot against the tilt bases and then pull the device
2. towards you.

Preparation for use

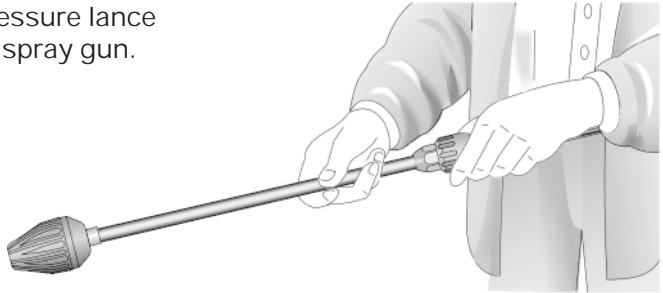
1. Check oil level.

There are two possibilities for checking the oil level of the pump:

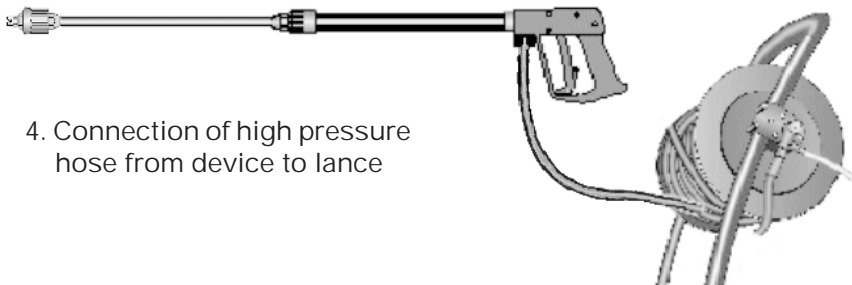
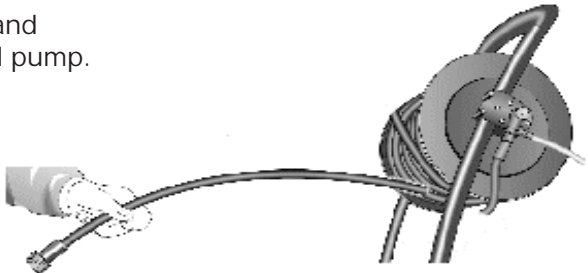
- a) Oil must be visible in the viewing window
- b) The oil state must be between the two markings on the oil measuring rod.



2. Connect the high pressure lance or Turbokiller to the spray gun.



3. Unroll hose without kinks and connect with handgun and pump. Use max. 20 m HP hose.



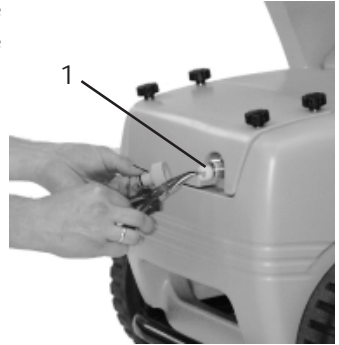
4. Connection of high pressure hose from device to lance

Preparation for use

5. The machine must be connected to the water line with cold water or up to 70° C warm water (see page 2).

The hose cross section must be at least 3/4" = 16 mm (free passage). Filter 1 must always be clean.

Please make sure that the filter is clean before using your high pressure cleaner.



CAUTION !



When running your high pressure cleaner with hot water of 70° C raised temperatures occur.

Do not touch the pump without safety gloves!

External suction



If water is to be sucked from an external container for the high pressure cleaner, the connection hose between the high pressure pump and the water tank must be screwed off and the suction hose must be connected directly to the pump.



Make sure that the water is clean. Use the Kränzle suction hose with suction filter. (Order N°. 15.038 3)

Maximum suction height 2.5 m, maximum water temperature for direct suction: 60°C (see technical data on page 2)

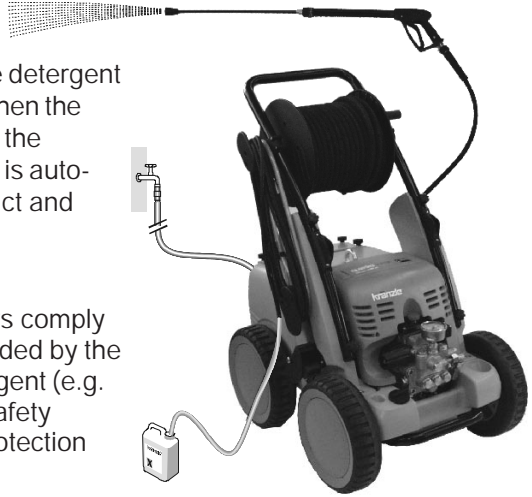
To shut down the pump

When using detergents:

Put chemistry sieve number 5 into the detergent container. Open the detergent valve, then the detergent is sucked in. When closing the detergent valve, the chemistry supply is automatically closed. Allow detergent to act and then wash off. (see page 5).



Note that you must always comply with the instructions provided by the manufacturer of the detergent (e.g. instructions concerning safety clothing) and the water protection regulations!



To shut down the pump:

1. Switch off the machine. Device switch to „0“ position.
2. Cut off the water supply.
3. Open the spray gun briefly until the pressure is released.
4. Apply the safety catch on the spray gun.
5. Remove the water hose and spray gun.
6. Pull the plug from the socket.
7. Winter: store the pump in rooms above 0°C.
8. Clean the water filter.

Frost protection

Normally after operation, there is still some water in the device. Thus, you must take special measures to protect the device from frost.

- Completely drain the device

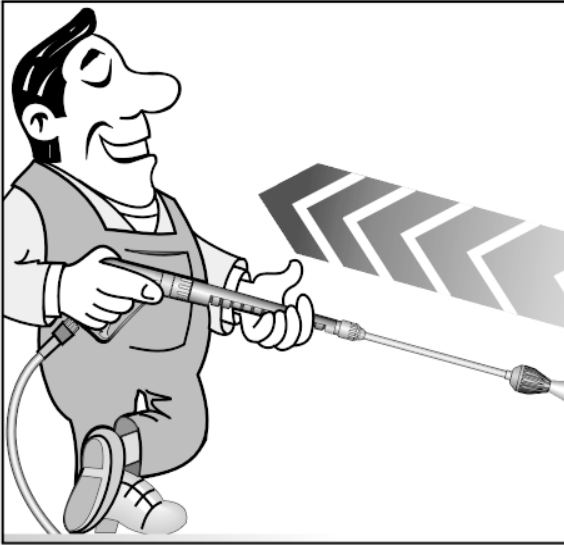
For this purpose, separate the device from the water supply. Then, turn on the main switch and open the gun. Now, the pump presses the remaining water from the water tank and the pump. However, do not allow the device to operate without water for longer than one minute.

- Fill the device with antifreeze agent

If the device is not operated for longer periods, especially over the winter, you should pump an antifreeze agent through the device. For this purpose, fill the antifreeze agent into the water box and turn on the device. Wait with opened gun, until the agent comes from the nozzle.

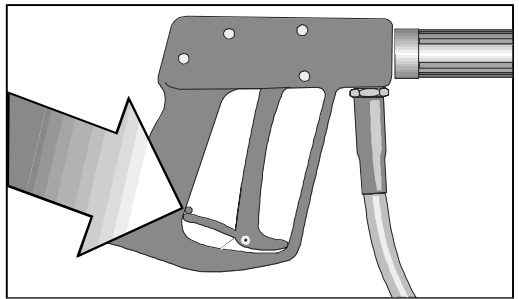
However, the best way to protect the device from frost is to store it at a frost-free location.

Safety notes



As to the recoil -
see notice on page 2!

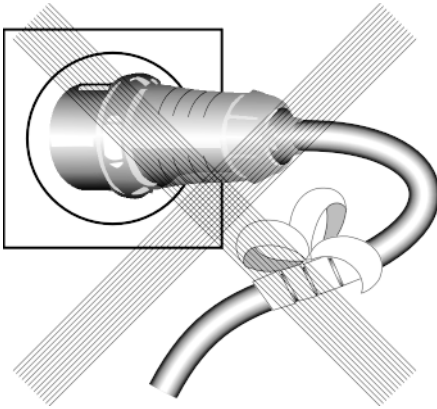
Apply the safety catch on the
spray gun after each use, in
order to prevent uninten-
tional spraying!



This is prohibited !



Never direct the water jet at people or animals !



Do not damage the power cord or repair it incorrectly !

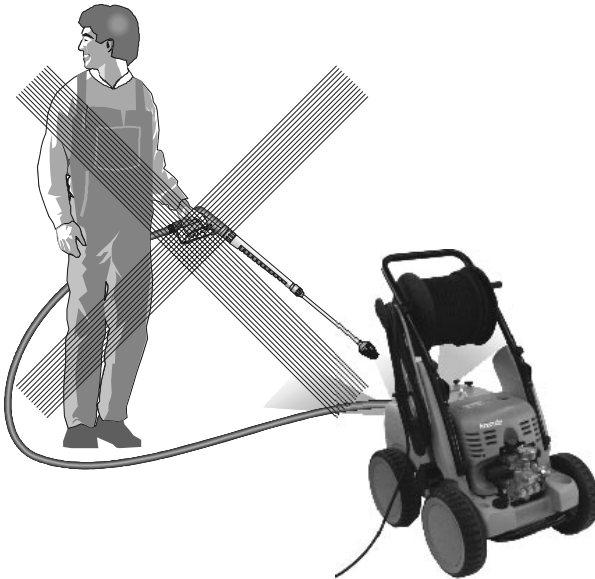


Never pull the high pressure hose if it has formed kinks or "nooses"!
Never pull the hose over sharp edges !

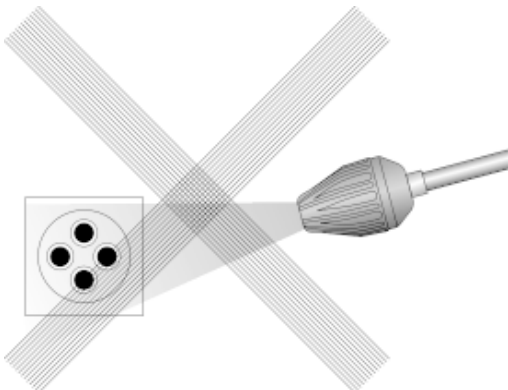
This is prohibited !



Never allow children to use the high pressure cleaner !



Never direct the water jet at the machine itself !

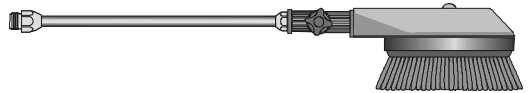


Never direct the water jet at a power socket !

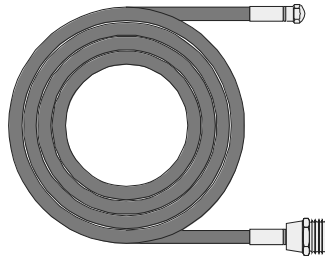
Additional accessories for ... (on demand)



Rotary scrubbing brush
Order No. 41.050 1

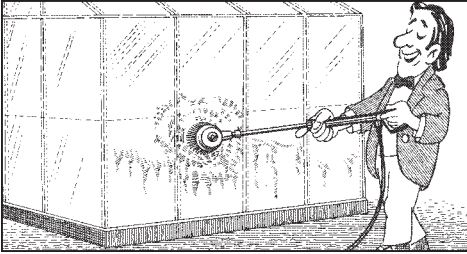


Drain and pipe cleaning hose
10 m - Order No. 41.058.1
15 m - Order No. 41.058

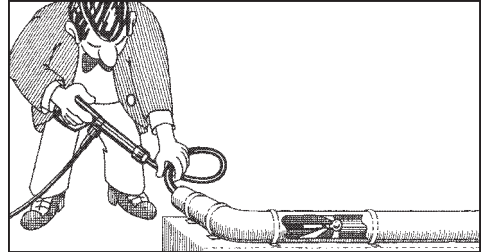


Environmental, refuse disposal and water protection regulations must be observed when using the accessories!

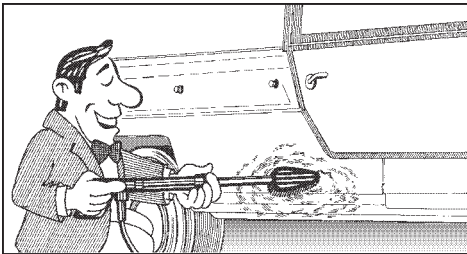
... further combination possibilities



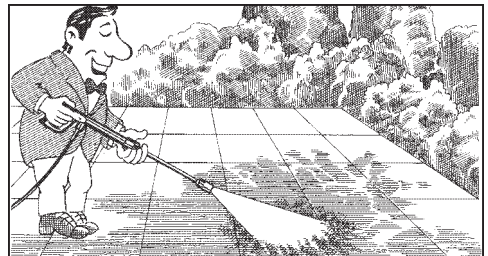
Car cleaning, glass, caravan, boat etc.:
rotary washing brush with 40 cm extension
and ST 30 nipple M22 x 1.5



Cleaning pipes, channels and drains: pipe
cleaning hose with KN nozzle and ST 30
nipple M22 x 1.5



Cleaning cars and all smooth surfaces:
brush with ST 30 nipple M22 x 1.5

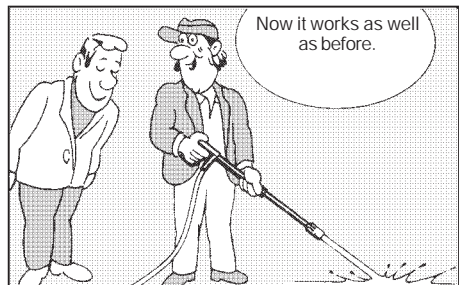
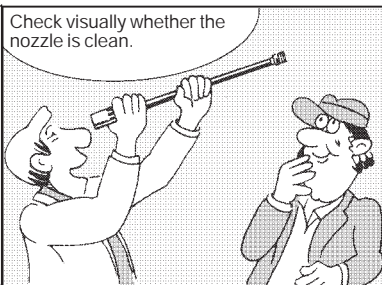
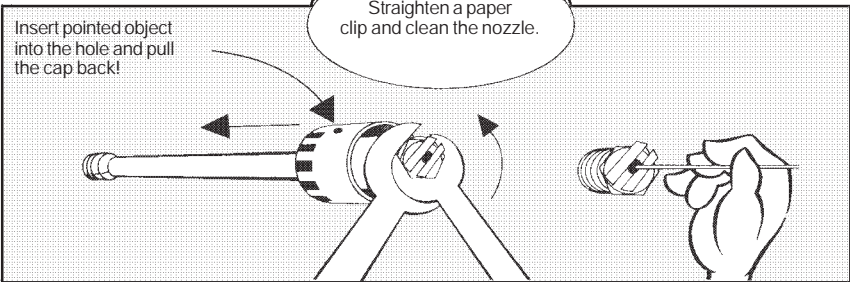
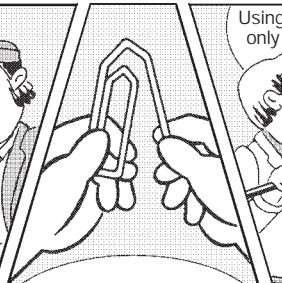
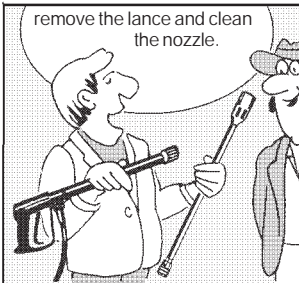
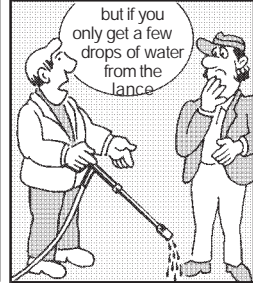
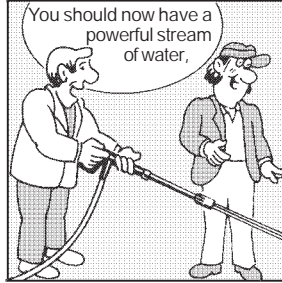
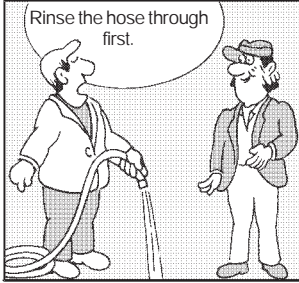


Rotary point sprayer for extreme soiling:
Turbokiller with 40 cm extension and ST 30
nipple M22 x 1.5

Small repairs ...

The nozzle is blocked!

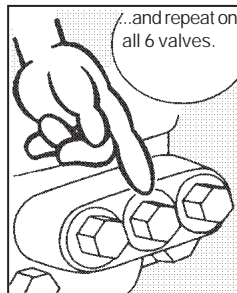
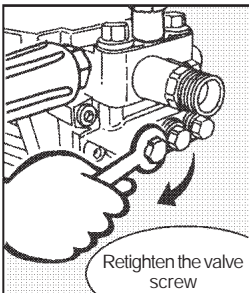
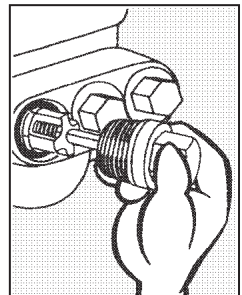
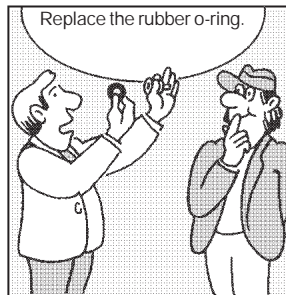
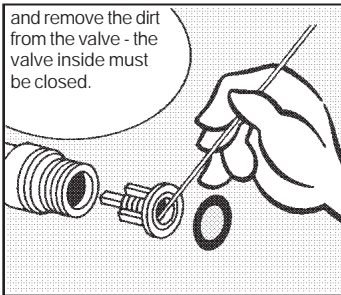
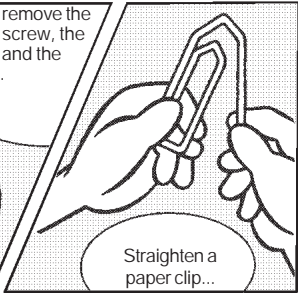
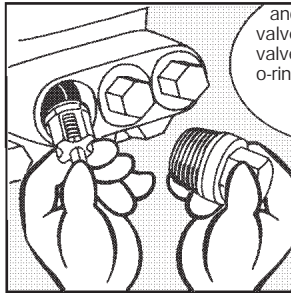
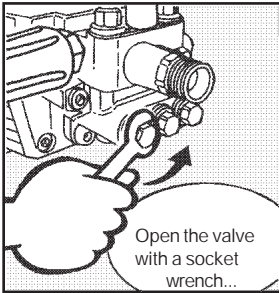
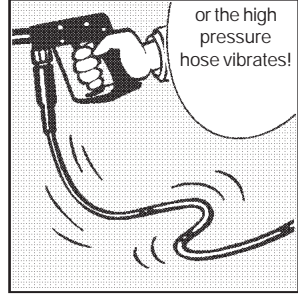
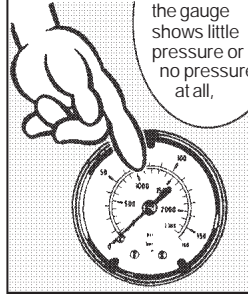
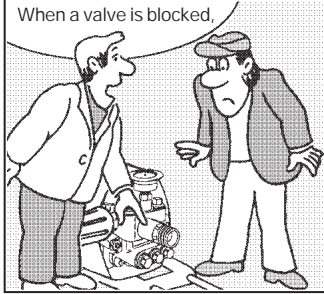
- No water but the gauge shows full pressure !



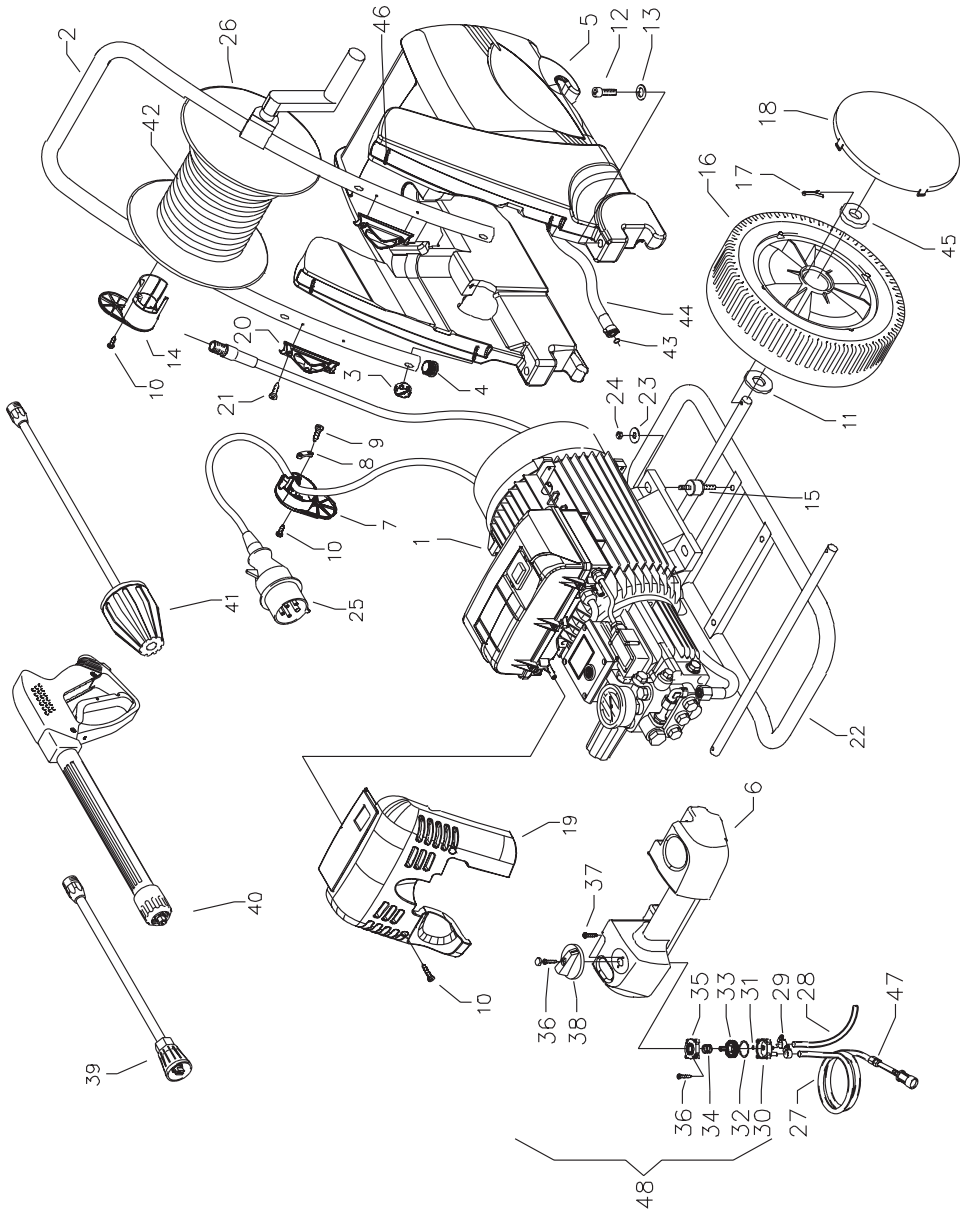
do it yourself !

Nozzle dirty or sticky!

- Pressure gauge does not show full pressure
- The high-pressure hose vibrates
- Water comes out in spurts.
- If you do not use the high-pressure cleaner for some time the valves can stick



Complete Assembly

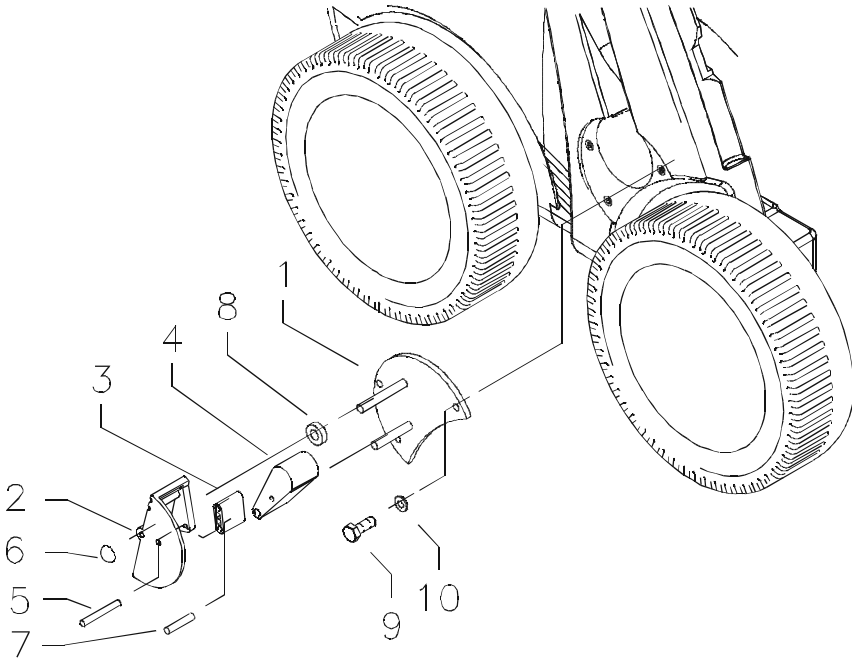


quadro 800 TST - 1200 TST

Spare parts list KRÄNZLE quadro 800 TST - 1200 TST Complete Assembly

No	Description	Qty.	Ord.-No	No	Description	Qty.	Ord.-No
1.1	Motor-Pumpe für quadro 800 TST ohne Elektrik	1	42.622 1	24	Elastic-Stop-Mutter M8	4	41.410
1.2	Motor-Pumpe für quadro 1000 TST ohne Elektrik	1	42.622 2	25	Netzanschlußkabel 8 m	1	44.036
1.3	Motor-Pumpe für quadro 1200 TST ohne Elektrik	1	42.622 3	26	Schlauchtrommel kpl.	1	41.259 6
2	Schubbügel	1	42.601	27	Chemiesaugschlauch (Gewebe) mit Filter1	1	42.621
3	Sterngriffmutter M8	4	42.619	28	Gewebeschlauch 0,4m	1	42.622
4	Stopfen	2	42.613	29	Schlauchklemme 9 - 9	2	44.054
5	Wasserkasten	1	42.603	30	Gehäuse Waschmittelventil	1	44.145
6	Lanzenablage	1	42.604	31	O-Ring 5 x 1,5 (Viton)	1	44.150
7	Kabelaufwicklung unten	1	42.611	32	O-Ring 28,24 x 2,62	1	44.149
8	Zugentlastung	1	43.431	33	Regulierkolben Chemieventil	1	44.147
9	Blechschaube 3,5 x 12	2	40.290	34	Edelstahlfeder 1,8 x 15 x 15	1	44.148
10	Kunststoffschaube 5,0 x 25	6	41.414	35	Deckel für Chemieventil	1	44.146
11	Scheibe 21 DIN125	12	40.207	36	Blechschaube 3,5 x 16	3	44.161
12	Schraube M8x50 DIN912	2	42.620	37	Blechschaube 3,5 x 19	2	44.162
13	Scheibe 8,4 DIN125	2	50.186	38	Drehgriff Chemieventil mit Blendkappe	1	44.151
14	Kabelaufwicklung oben	1	42.612	39.1	Lanze mit Flachstrahliduse für 800 TST	1	12.392 2-2504
15	Gummipuffer 25 x 25	4	44.227	39.2	Lanze mit Flachstrahliduse für 1000 TST	1	12.392 2-2505
16	Rad	4	44.017	39.3	Lanze mit Flachstrahliduse für 1200 TST	1	12.392 2-2507
17	Splint 5x28 DIN94	4	42.614		Please specify nozzle size:		
18	Radkappe	4	44.018	40	Starlett -Pistole mit Verlängerung	1	12.320 2
19.1	Frontplatte quadro 800 TST	1	42.609 1	41.1	Turbo-Killer 045 bei quadro 800 TST	1	41.072 3
19.2	Frontplatte quadro 1000 TST	1	42.609 2	41.2	Turbo-Killer 055 bei quadro 1000 TST	1	41.072 4
19.3	Frontplatte quadro 1200 TST	1	42.609 3	41.3	Turbo-Killer 08 bei quadro 1200 TST	1	41.072 8
20	Lanzenhalter	2	42.610	42	Hochdruckschlauch 20 m NW8	1	41.083
21	Blechschaube 3,5x16 DIN7981	4	44.161	43	O-Ring 13 x 2,6	2	13.272
22	Fahrgestell	1	42.602	44	Verbindungsschlauch	1	42.625
23	Scheibe 8,4 DIN9021	4	41.409	45	Scheibe 8mm für Rad	4	44.246
				46	Gewindestift M6x55	4	42.617 2
				47	Rückschlagventil für Chemiesaugschl.	1	44.240
				48	Chemieventil Kpl. Pos. 30-37	1	44.052

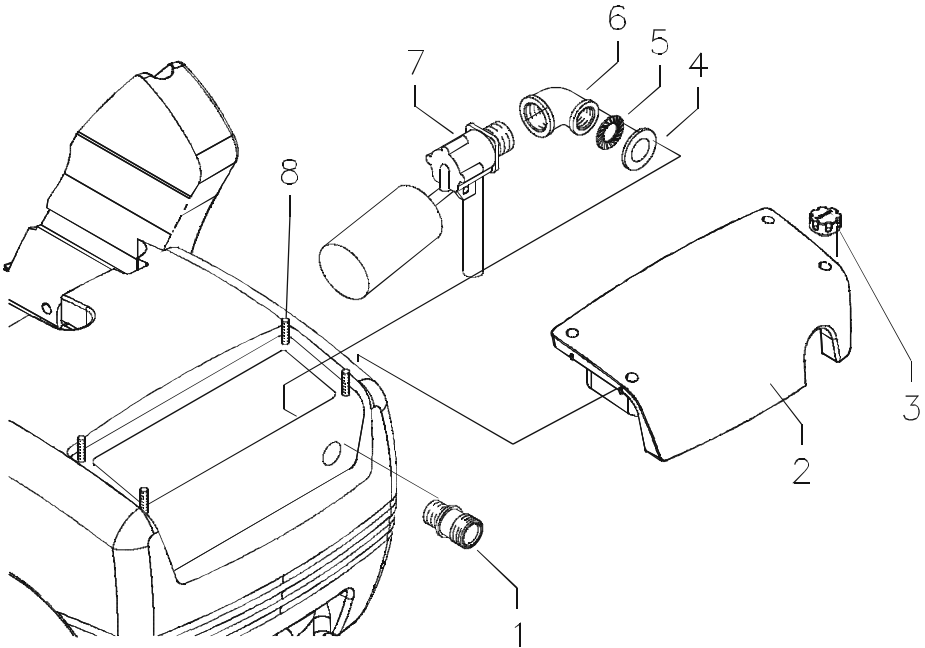
Brake



Spare parts list KRÄNZLE quadro 800 TST - 1200 TS
Brake

No	Description	Qty.	Ord.-No
1	Grundplatte	1	42.615
2	Bremspedal	1	44.022
3	Bremshebel	1	44.023
4	Bremsklotz	1	44.024
5	Stift 6 x 50	1	44.035
6	Starlock-kappe 8 mm	1	44.165
7	Stift 6 x 40	1	44.035 1
8	Distanzring	2	42.626
9	Sechskantschraube M6x16	3	50.173
10	Unterlegscheibe DIN125-6,3	3	50.189

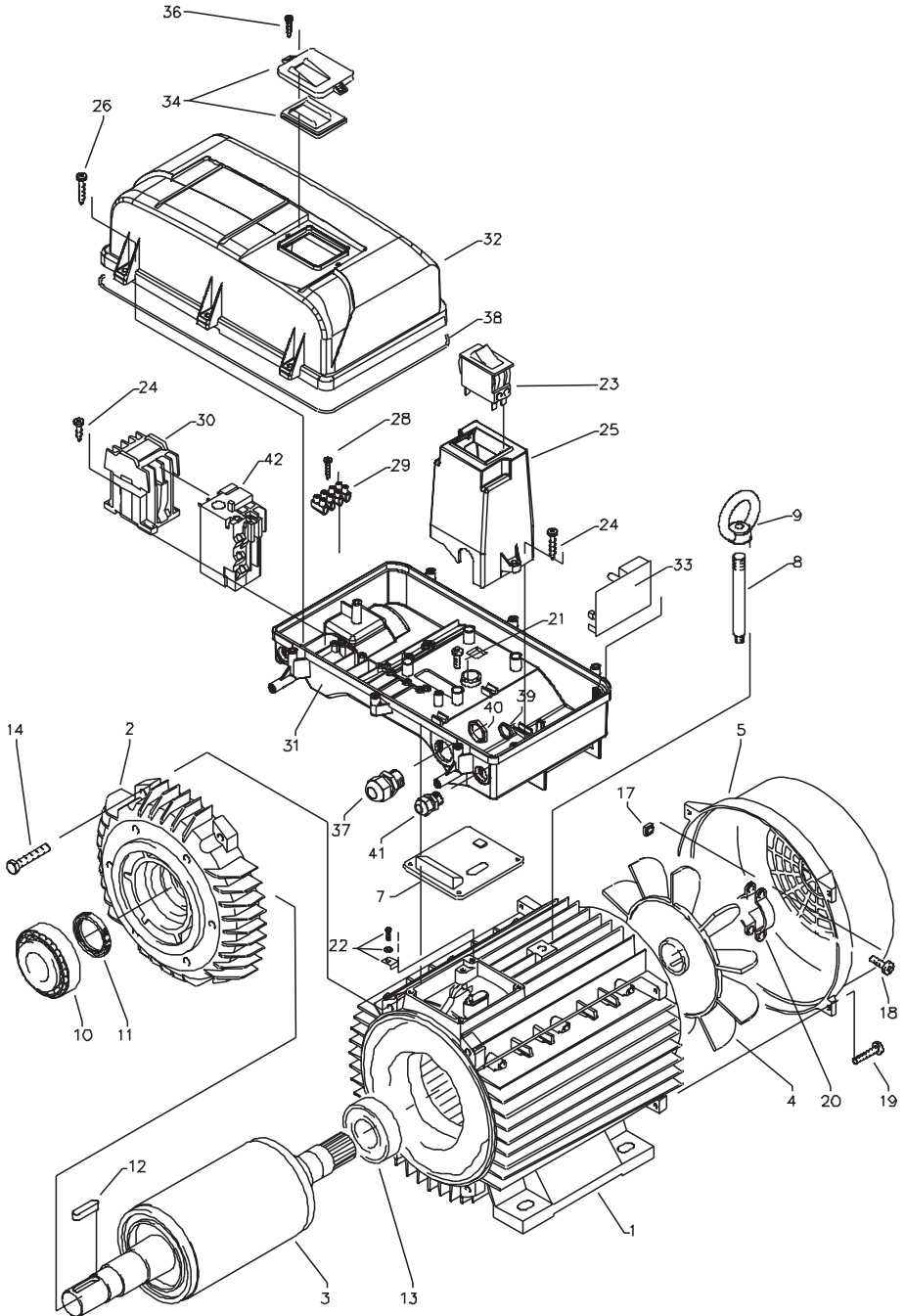
Water inlet



Spare parts list KRÄNZLE quadro 800 TST - 1200 TS Water inlet

No	Description	Qty.	Ord.-No
1	Eingangsteil	1	42.627
2	Revisionsdeckel	1	42.605
3	Sterngriffmutter M8	4	42.619
4	Scheibe DIN125-21	1	40.207
5	Schnorrnsicherung S20	1	14.150 1
6	Winkel R3/8" IG x R3/4" IG	1	42.628
7	Schwimmventil	1	42.629
8	Gewindestift M6x40	4	42.617 1

Pump motor

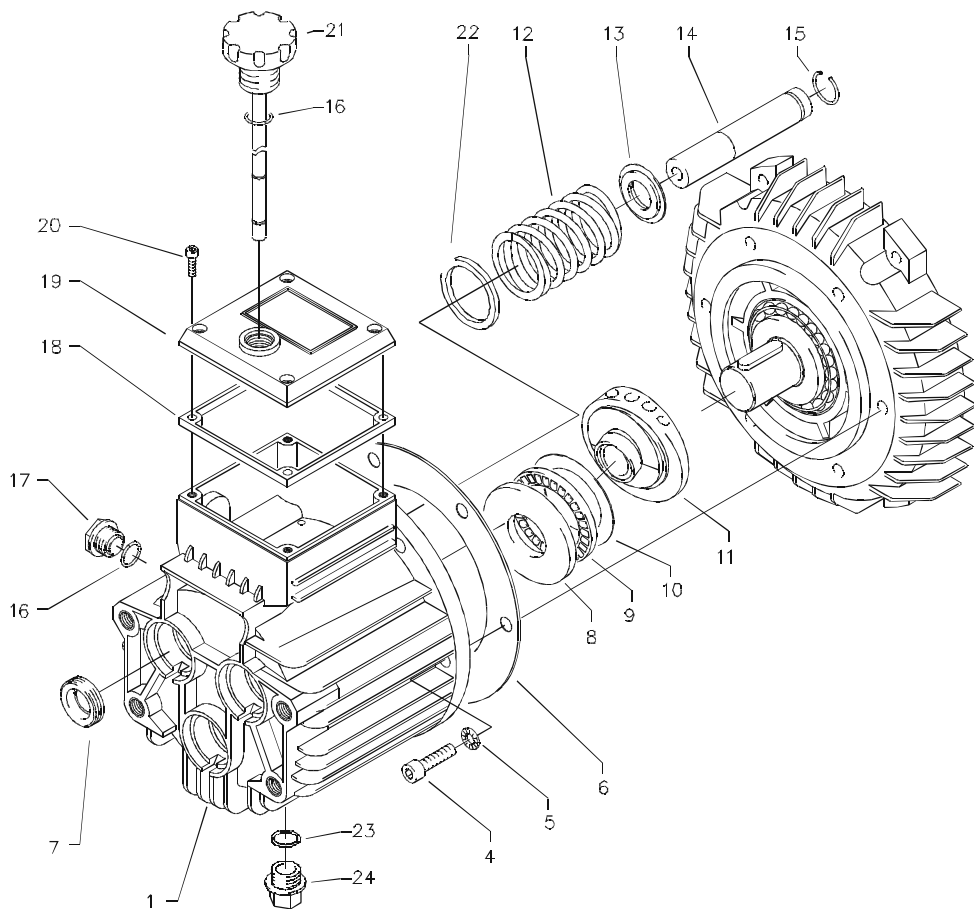


quadro 800 TST - 1200 TS

Spare parts list KRÄNZLE quadro 800 TST - 1200 TS Pump motor

No	Description	Qty.	Ord.-No
1	Stator 112 5,5kW 400V / 50Hz	1	40.540
2	A-Lager Flansch	1	40.530
3	Rotor 112 (400V / 50Hz)	1	40.531
4	Lüfterrad für BG 112	1	40.532
5	Lüfterhaube BG 112	1	40.533
7	Flachdichtung	1	43.030
8	Stehbolzen für Kranhaken	1	42.616
9	Ringmutter DIN582-M12	1	42.618
10	Kegelrollenlager 31306	1	40.103
11	Öldichtung 35 x 47 x 7	1	40.080
12	Paßfeder 8 x 7 x 32	1	40.104
13	Kugellager 6206 - 2Z	1	40.538
14	Innensechskantschraube M 6 x 30	4	43.037
17	Vierkantmutter M 5	2	41.416
18	Schraube M 5 x 14	2	40.536
19	Schraube M 4 x 12	4	41.489
20	Schelle für Lüfterrad 112	2	40.535
21	Schraube M 4 x 12	4	41.489
22	Erdungsschraube kpl.	1	43.038
23	Schalter 14,5 A Amazonas	1	41.111 6
24	Kunststoffschraube 4,0 x 16	6	43.417
25	Bock für Schalter	1	42.608
26	Kunststoffschraube 5,0 x 25	6	41.414
28	Kuststoffschraube 3,5 x 20	2	43.415
29	Lüsterklemme 5-pol.	1	43.326 1
30	Schütz CA3-12-10 3x400V 50/60 Hz	1	44.057
31	Schaltkasten Unterteil	1	42.606
32	Schaltkasten Deckel	1	42.607
33	Steuerplatine Abschaltverz. 400V / 50Hz	1	42.503
34	Klemmrahmen mit Schalterabdichtung	1	43.453
36	Blechschraube 3,5 x 16	2	44.161
37	PG 16-Verschraubung	1	41.419 1
38	Dichtung für Schaltkastendeckel	1	42.525
39	Gegenmutter für PG9-Verschraubung	1	41.087 1
40	Gegenmutter für PG16-Verschraubung	1	44.119
41	PG 9 - Verschraubung	1	43.034
42	Überstromauslöser CT 3-12	1	44.058
	Motor compl. without switch	1	24.060
	Set of cables compl. consisting of 10 single cables	1	42.537

Transmission unit

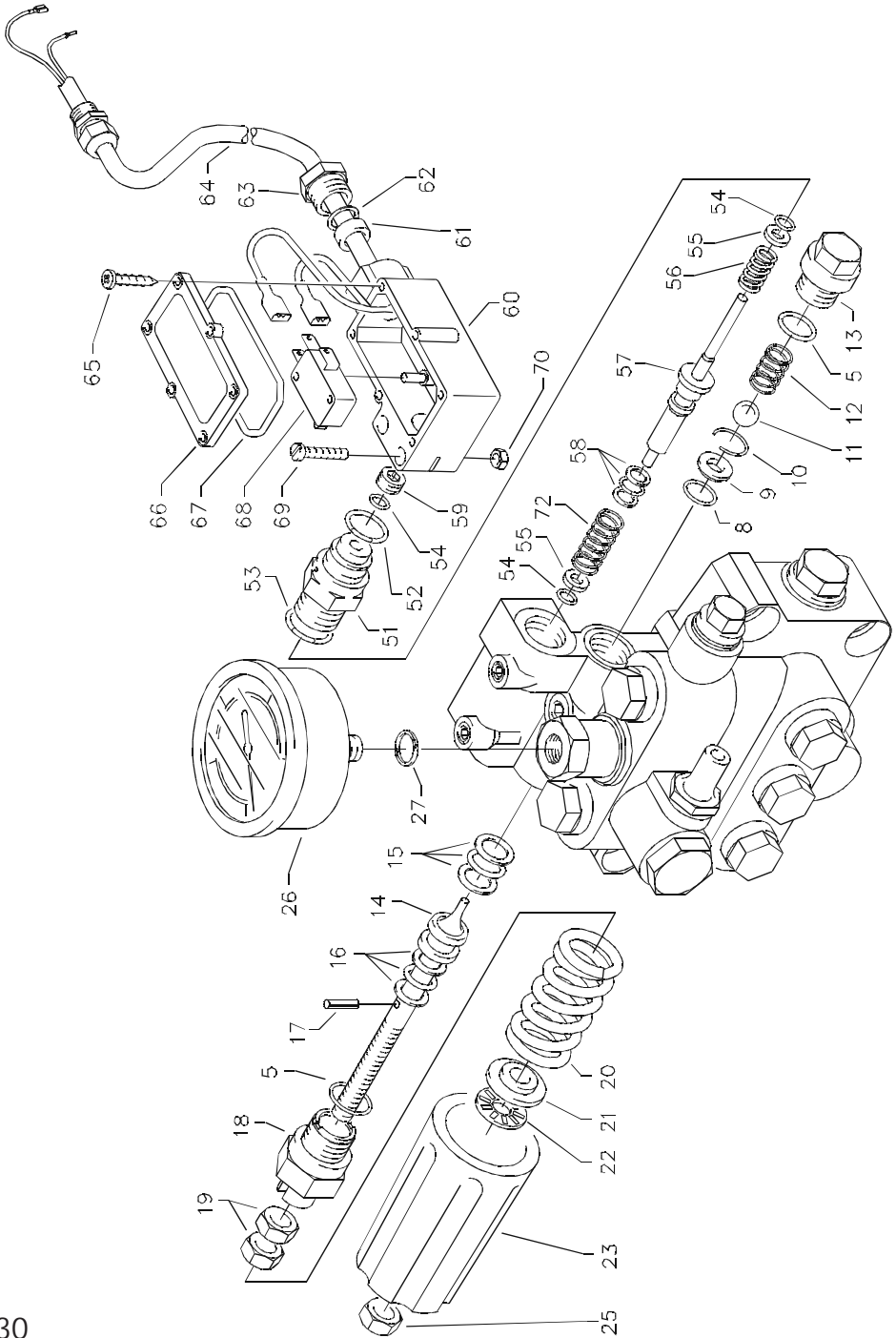


quadro 800 TST - 1200 TST

Spare parts list KRÄNZLE quadro 800 TST - 1200 TST Pump transmission unit for AQ-Pump

No	Description	Qty.	Ord.-No
1	Ölgehäuse	1	40.501
4	Innensechskantschraube M 8 x 30	6	41.036 1
5	Sicherungsscheibe	6	40.054
6	Flachdichtung	1	40.511
7	Öldichtung 20 x 30 x 7	3	40.044 1
8	Wellenscheibe	1	40.043
9	Axial-Rollenkäfig	1	40.040
10	AS-Scheibe	1	40.041
11.1	Swash plate AQ 9,5° for quadro 800 TST	1	40.042 1-9,5
11.2	Swash plate AQ 10,4° for quadro 1000 TST + 1000 TS	1	40.042 1-10,4
11.3	Swash plate AQ 12,75° for quadro 1200 TST + 1200 TS	1	40.042 1-12,75
12	Plungerfeder	3	40.506
13	Federdruckscheibe	3	40.510
14	Plunger 20 mm (lang)	3	40.505
15	Sprengring	3	40.048
16	O-Ring 14 x 2	2	43.445
17	Ölschauglas	1	42.018
18	Flachdichtung	1	41.019 3
19	Deckel flach für Ölgehäuse	1	41.023 1
20	Innensechskantschraube M 5 x 12	4	41.019 4
21	Stopfen M 18 x 1,5 mit Ölmeßstab	1	42.623
22	Stützscheibe für Plungerfeder	3	40.513
23	O-Ring	1	43.445
24	Verschlußstopfen R 3/8"	1	40.051

Unloader valve and pressure switch

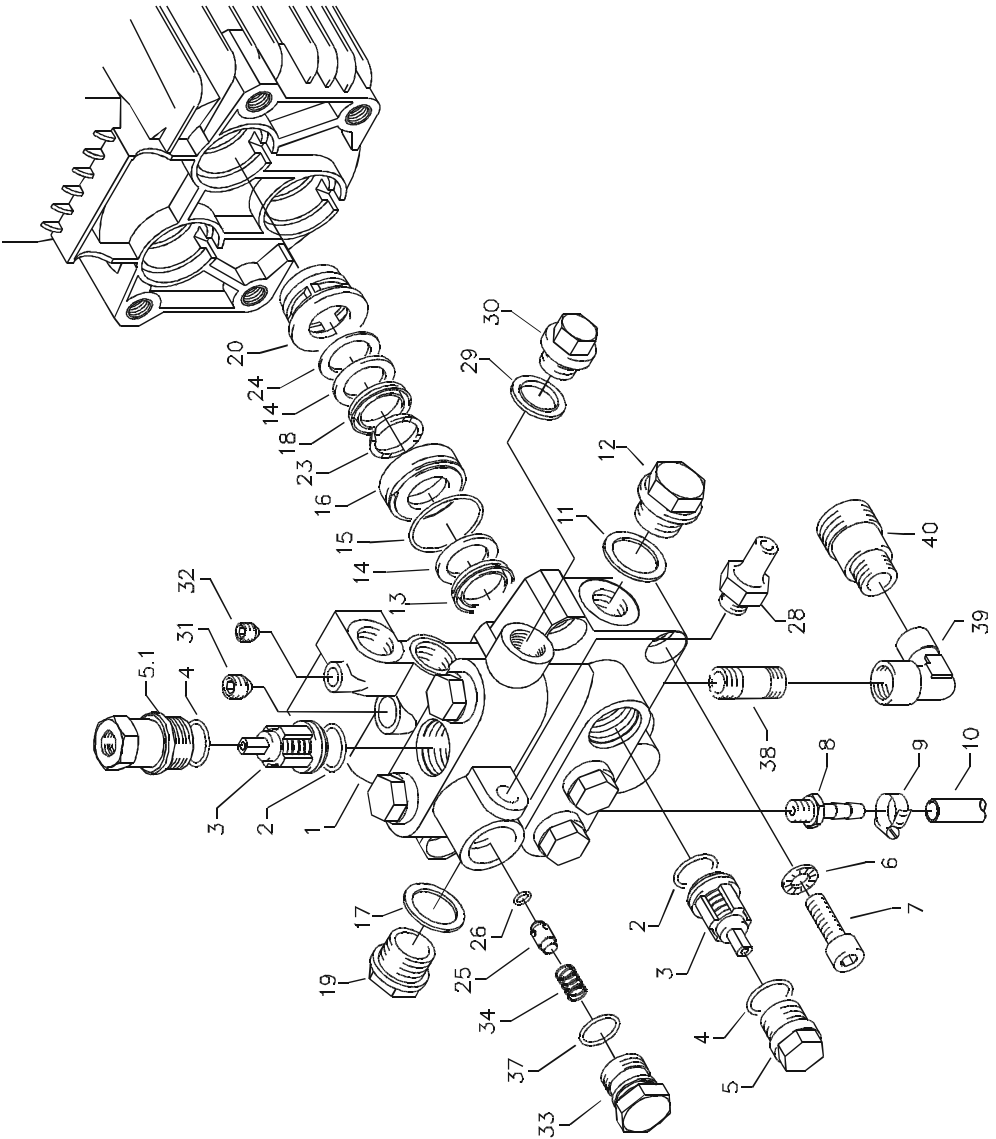


quadro 800 TST - 1200 TST

Spare parts list quadro 800 TST - 1200 TST Unloader valve and pressure switch

No	Description	Qty.	Ord.-No	No	Description	Qty.	Ord.-No
5	O-Ring 16 x 2	2	13.150	55	Stützscheibe	2	15.015
8	O-Ring 11 x 1,44	1	12.256	56	Edelstahlfeder	1	15.016
9	Edelstahlsitz	1	14.118	57	Steuerstößel	1	15.010 2
10	Sicherungsring	1	13.147	58	Parbaks	1	15.013
11	Edelstahlkugel	1	13.148	59	Stopfen M 10 x 1 (durchgebohrt)	1	13.385 1
12	Edelstahlfeder	1	14.119	60	Gehäuse Elektroschalter	1	15.007
13	Verschlußschraube	1	14.113	61	Gummimanschette PG 9	1	15.020
14	Steuerkolben	1	14.134	62	Scheibe PG 9	1	15.021
15	Parbaks 16 mm	1	13.159	63	Verschraubung PG 9	1	15.022
16	Parbaks 8 mm	1	14.123	64	PVC-Kabel 2x 1,0 mm ²	1	42.505
17	Spannstift	1	14.148	65	Blechschrube 2,8 x 16	6	15.024
18	Kolbenführung spezial	1	42.105	66	Deckel Elektroschalter	1	15.008
19	Kontermutter M 8 x 1	2	14.144	67	O-Ring 44 x 2,5	1	15.023
20	Valve spring red for quadro 800	1	14.125 1	68	Mikroschalter	1	15.018
20.1	Valve spring black for quadro 1000 and 1200	1	14.125	69	Zylinderschraube M 4 x 20	2	15.025
21	Federdruckscheibe	1	14.126	70	Sechskant - Mutter M 4	2	15.026
22	Nadellager	1	14.146	72	Druckfeder 1 x 8,6 x 30	1	40.520
23	Handrad	1	14.147		Repair kits:		
25	Elastic-Stop-Mutter M 8 x 1	1	14.152		Repair kit		15.009 3
26	Manometer 0-400 Bar	1	15.039 4		Pressure switch		
27	Aluminium-Dichtung	2	13.275		1x Pos. 51, 1x Pos. 52, 1x Pos. 53,		
51	Führungsteil Steuerstößel	1	15.009 1		3x Pos. 54, 1x Pos. 55, 1x Pos. 56,		
52	O-Ring 12,3 x 2,4	1	15.017		1x Pos. 57, 1x Pos. 58, 1x Pos. 59		
53	O-Ring 14 x 2	1	43.445		Pressure switch compl. No. 54 - 70		41.300 5
54	O-Ring 3,3 x 2,4	3	12.136				

Valve housing

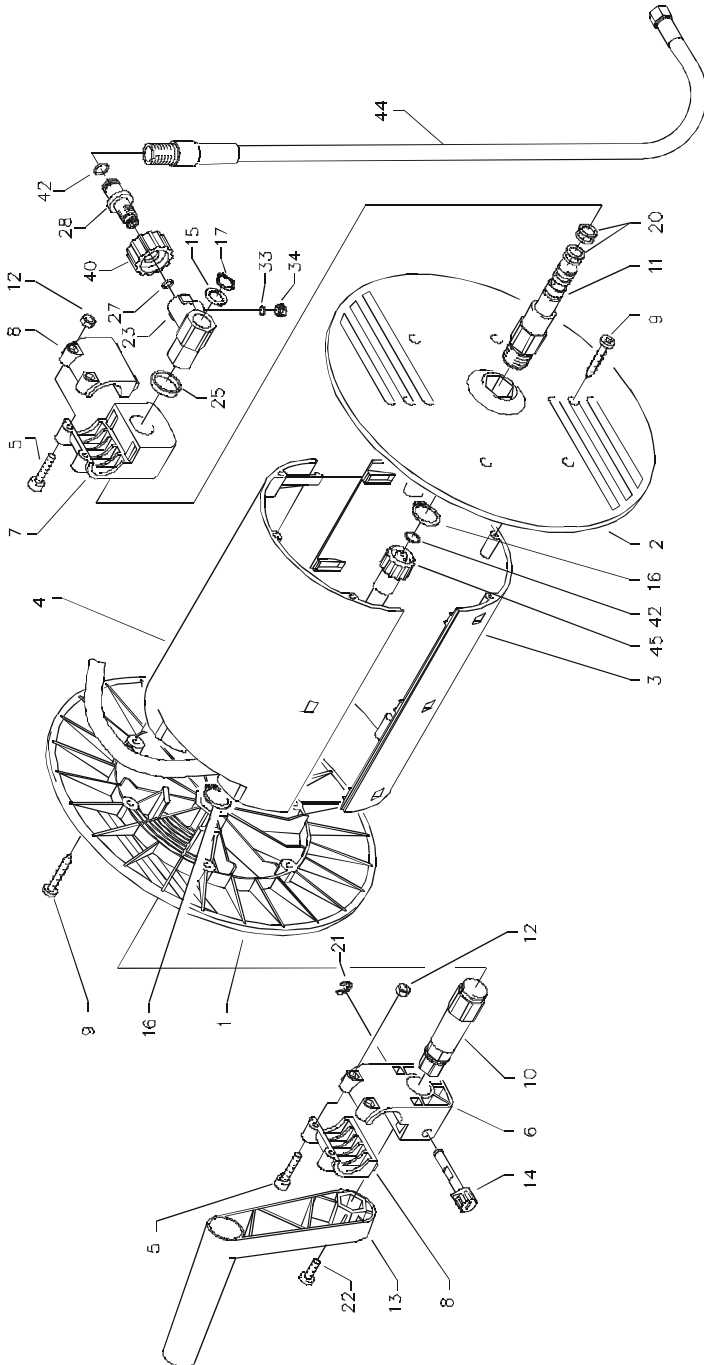


quadro 800 TST - 1200 TST

Spare parts list KRÄNZLE quadro 800 TST - 1200 TST Valve housing for integrated AO-pump

No	Description	Qty.	Ord.-No	No	Description	Qty.	Ord.-No
1	Ventilgehäuse AO mit integr. UL und Druckschalter	1	40.503 5	28	Verschraubung Ermeto R 1/4" x 8L	1	41.042
2	O-Ring 18 x 2	6	40.016	29	Dichtring 17 x 22 x 1,5 (Kupfer)	1	40.019
3	Einlaß- / Auslaß- Ventil	6	42.024	30	Stopfen 3/8"	1	40.018
4	O-Ring 21 x 2	6	42.025	31	Dichstopfen M 10 x 1	1	43.043
5	Ventilstopfen	5	42.026	32	Dichstopfen M 8 x 1	2	13.158
5.1	Ventilstopfen mit R 1/4" IG	1	42.026 2	33	Ausgangsteil	1	42.161
6	Sicherungsring	4	40.032	34	Rückschlagfeder	1	14.120
7	Innensechskantschraube M 12 x 45	4	40.504	37	O-Ring 18 x 2	1	43.446
8	Schlauchnippel R3/8" x 8	1		38	Messingrohr bds. R3/8"	1	41.628
9	Schlauchschele 7 - 10	1	44.054	39	Winkel 2x 3/8" IG	1	44.138
10	Chemiesaugschlauch mit Filter	1	42.621	40	Wassereingang R3/8" AG	1	41.016
13	Gewebemanschette	3	40.023				
14	Backring 20 mm	6	40.025		Repair kits:		
15	O-Ring 31,42 x 2,62	3	40.508				
16	Leckagering 20 x 36 x 13,3	3	40.509		Repair kit for sleeves		40.065 1
17	Cu-Dichtring 21 x 28 x 1,5	3	42.039		consisting of: 3x Pos. 13; 6x Pos. 14;		
18	Gummimanschette	3	40.512		3x Pos. 15; 3x Pos. 16; 3x Pos. 18;		
19	Verschlußschraube R 1/2"	1	42.032		3x Pos. 20; 3x Pos. 23		
20	Distanzring mit Abstützung	3	40.507				
23	Druckring 20 mm	3	40.021		Repair kit for sleeves without		40.517
24	Zwischenring 20 mm	3	40.516		brass parts consisting of:		
25	Rückschlagkörper	1	14.122		3x Pos. 13; 6x Pos. 14; 3x Pos. 15;		
26	O-Ring 6 x 3	1	14.121		3x Pos. 18; 3x Pos. 23		
					Repair kit valves		40.062 1
					consisting of:		
					6x Pos. 2; 6x Pos. 3; 6x Pos. 4		

Hose drum

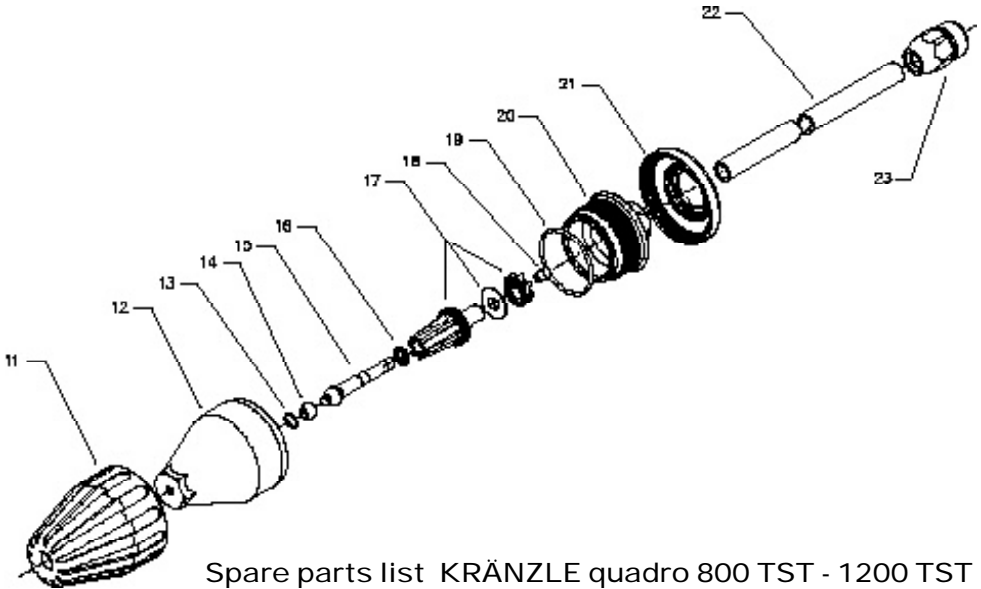


quadro 800 TST - 1200 TST

Spare parts list KRÄNZLE quadro 800 TST - 1200 TST Hose drum

No	Description	Qty.	Ord.-No	No	Description	Qty.	Ord.-No
1	Seitenschale Schlauchführung	1	40.302	20	Parbaks 16 mm	2	13.159
2	Seitenschale Wasserführung	1	40.301	21	Sicherungsscheibe 6 DIN6799	1	40.315
3	Trommel Unterteil	1	40.304	22	Schraube M 5 x 10	1	43.021
4	Trommel Oberteil	1	40.303	23	Drehgelenk	1	40.167
5	Innensechskantschraube M 4 x 25	4	40.313	25	Distanzring	1	40.316
6	Lagerklotz mit Bremse	1	40.306	27	O-Ring 6,86 x 1,78	1	40.585
7	Lagerklotz links	1	40.305	28	Anschlußstück	1	40.308
8	Klemmstück	2	40.307	33	O-Ring 6 x 1,5	1	13.386
9	Kunststoffschraube 5,0 x 20	12	43.018	34	Stopfen M 10 x 1	1	13.385
10	Antriebswelle	1	40.310	40	Überwurfmutter	1	13.276 2
11	Welle Wasserführung	1	40.311	42	O-Ring 9,3 x 2,4	4	13.273
12	Elastic-Stop-Mutter M 4	4	40.111	44	Verbindungsschlauch	1	42.624
13	Handkurbel	1	40.309	45	Hochdruckschlauch NW 8 20 m	1	41.083
14	Verregelungsbolzen	1	40.312		Hose drum compl..		41.259
15	Scheibe MS 16 x 24 x 2	1	40.181				
16	Wellensicherungsring 22 mm	2	40.117				
17	Wellensicherungsring 16 mm	1	40.182				

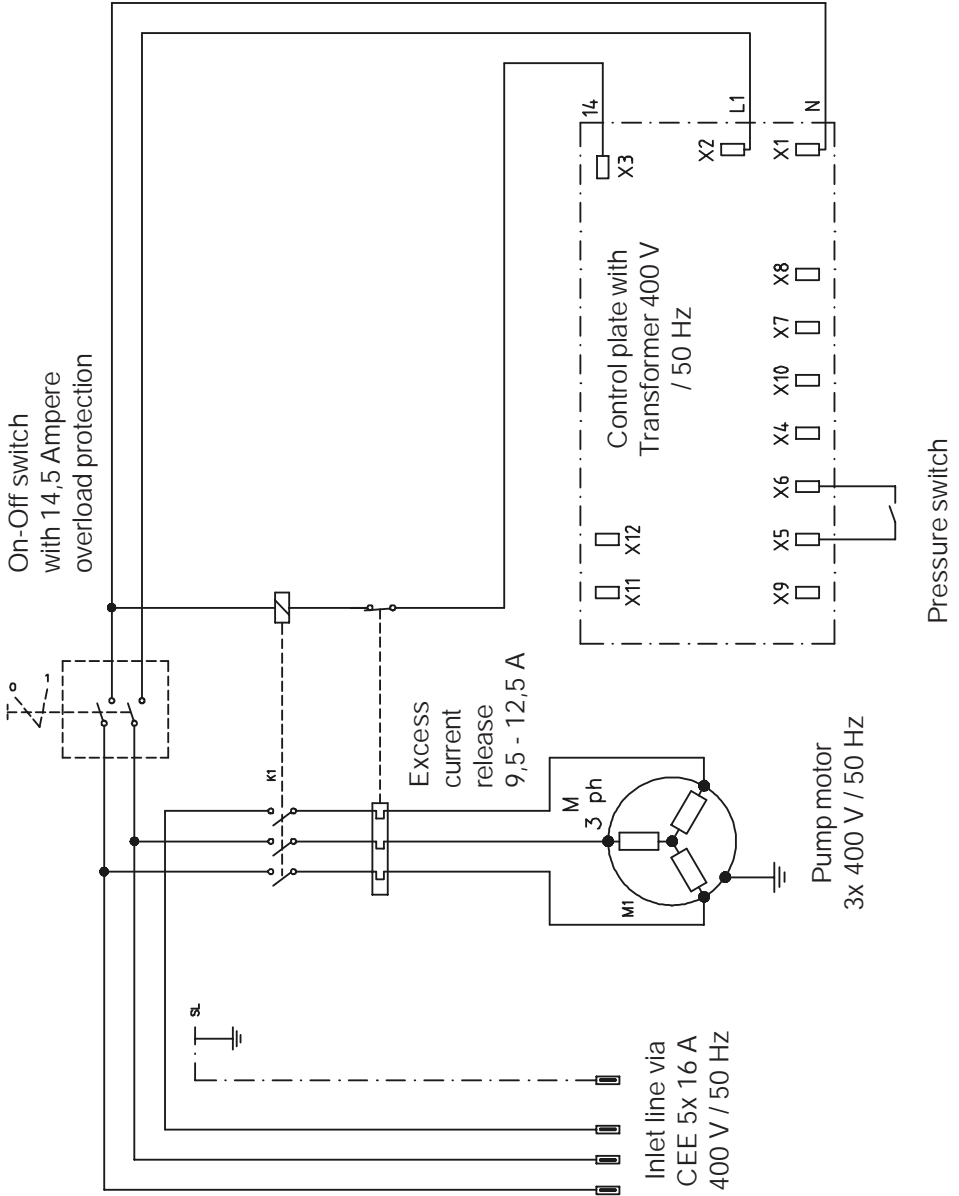
Turbokiller



Spare parts list KRÄNZLE quadro 800 TST - 1200 TST Turbokiller

No	Description	Qty.	Ord.-No
11	Sprühkörperschutz	1	41.528
12	Sprühkörper	1	41.529
13	O-Ring 6,88 x 1,68	1	41.521
14	Düsensitz	1	41.522
15	Düse 045 für quadro 800	1	41.532 1
15.1	Düse 055 für quadro 1000	1	41.532
15.2	Düse 08 für quadro 1200	1	41.537
16	Ring	1	41.533
17	Rotor	1	41.534
18	Stabilisator	1	41.524
19	O-Ring 41 x 1,78	1	41.538
20	Deckel	1	41.539
21	Deckelschutz	1	41.540
22	Rohr 500 mm lang; bds. R1/4"	1	12.385 1
23	Nippel M22x1,5 x R1/4" IG	1	13.370
	Turbokiller 045 compl. with lance		41.072 3
	Turbokiller 055 compl. with lance		41.072 4
	Turbokiller 08 compl. with lance		41.072 8
	Repair Kit Turbokiller 045		41.097 6
	Repair Kit Turbokiller 055		41.097 1
	Repair Kit Turbokiller 08		41.097 3

Wiring diagram



General rules

Inspections

The machine must be inspected according to the "Guidelines for Liquid Spray Devices" at least once every 12 months by a qualified person, to ensure that continued safe operation is guaranteed.

The results of the inspection are to be recorded in writing.

This may be done in any form.

Accident prevention

The machine is designed for accidents to be impossible if used correctly.

The operator is to be notified of the risk of injury from hot machine parts and the high pressure water jet. The "Guidelines for Liquid Spray Devices" must be complied with. (see pages 16 and 17)

Check the oil level at the oil dip stick prior to each use (see also page 11).
(Ensure horizontal position!)

Oil change:

The first oil change should be carried out after approximately 50 operating hours, then every year or after 1000 operating hours. If the oil turns grey or white, you must certainly change the oil of your high pressure pump.

Open the oil discharge screw at the bottom of the device over a collection reservoir.

Put the machine into a horizontal position to drain the oil. The oil is to be caught in the reservoir and disposed of in an approved manner.

New Oil: 1,0 l -

Motor oil: 10/W60 SAE halfsynthetic oil



Guarantee

The guarantee is 12 months according to VDMA for manufacturing errors

The guarantee is void if changes are made to the safety devices or if the machine is used at excess temperatures or speeds. The guarantee is also void if the machine is used with a voltage below the required rating, with less than the required amount of water or with dirty water. Manometer, nozzle, valves, sleeves, high pressure hose and spray equipment are wear parts and are not covered by the warranty.

Our operating instructions must be complied with.

Inspection report

for KRÄNZLE - High Pressure Cleaners

The high pressure cleaner must be inspected
by an expert every 12 months.

Appliance No.:

Type of appliance:

The following must be checked:

1. Safety features

- a) Manometer
- b) Safety valve (pressure control)
- c) Operating pressure
- d) Cut out pressure (max. 10% above operating pressure)
- e) Low pressure with closed gun

2. General condition

- a) High pressure hose
- b) Cable, plug, switch (VDE)
- c) Spray gun, spray accessories.
- d) Motor
- e) Oil level

The information in the operating instructions are a part of
the inspection

Result of inspection:	Date of inspection:	Faults rectified, Stamp and signature
<input type="text"/>	<input type="text"/>	<input type="text"/>
<input type="text"/>	<input type="text"/>	<input type="text"/>
<input type="text"/>	<input type="text"/>	<input type="text"/>

Excerpt from the Guidelines for Liquid Spray Equipment (ZH 1/46) by the Central Office of the Professional Trade Association.

Inspection:

Liquid spray equipment should be inspected for safe operation by a qualified person whenever necessary, but no less than every 12 months. The maker's or supplier's instructions must be followed. The inspection intervals may be extended if the equipment is not in active use.

The results of inspections must be recorded in writing and presented to the respective authorities on demand. There is no set form for these records.

Notes

Notes

High-pressure-cleaners
Hochdruckreiniger
Nettoyeurs à Haute Pression

I. Kränzle GmbH
Elpke 97 . 33605 Bielefeld

EC declaration of conformity
as defined by machinery directive 98/37/EU Annex II A
and the EC low-voltage directive 73/23 EEC
and the EC-EWV directive 89/336

Herewith we declare that	quadro 800 TST - 1200 TST, quadro 1000 TS - 1200 TS,
complies with the following provisions applying to it	91/368 EEC Ann. I N°. 1 73/23 EEC 79/113 EEC 81/1051 EEC
Applied harmonized standards in particular	EN 292 T 1 and T 2 EN 60 204 T 1 EN 50 082-2 EN 61 000 3-2 3-3 4-12 EN 55 014 EN 55 104
Applied national technical standards and specifications in particular	DIN VDE 0700 Part 265/79 3.95 DIN IEC 61 S (Co) 17 DIN IEC 801 2-6 601 1-2 DIN IEC 1000 4 2-11
Notified body ¹⁾ within the meaning of Annex VII	TÜV Hannover
engaged for ²⁾	
- safe keeping of the file as defined by Annex VI	
- verification of correct application of harmonized standards and certification of adequacy of the file as defined by Annex VI	
- EC type-examination (EC type-examination certificate No. ...)	

Bielefeld, 01.02.02

(Managing Director)

Order-N°.: 30 260 1

Reprint only allowed with the authorization of **kränzle**[®]
As date of 27. 02. 2002